



TOYOTA

ALWAYS A
BETTER WAY

RAV4



Model shown is Hybrid Style.



ALL SUV
ALL HYBRID
NO HALF MEASURES



THERE'S DESIGN AND THEN THERE'S **STYLE**

**A POWERFUL DESIGN STATEMENT
WITH TRUE SUV CHARACTER.**

The RAV4 is an SUV that was built to be driven – and designed for those who choose to stand out. Pairing the robust looks of a fully fledged SUV with sharp, dynamic styling, the RAV4 displays a sleek, urban edge. Powerful with a real road presence, RAV4's strong body draws the eye from the elegant front LED headlamps, along the bold profile silhouette and through to the unique LED tail lights – producing a look that is individual and refined. RAV4's rugged SUV stance proves it looks and acts the part, while being completely at home in the city.





Model shown is Hybrid Style.



Model shown is Hybrid Style.

THERE'S HYBRID
AND THEN THERE'S
TOYOTA HYBRID

**THE HYBRID SUV DESIGNED FOR
EVERY ROAD AND EVERY CITY.**

RAV4's powerful 2.5-litre Hybrid Dynamic Force powertrain delivers outstanding performance without compromise. It gives you confidence in every driving situation, from fast-moving motorways to congested cities with emission restrictions and challenging road conditions. And thanks to its self-charging hybrid powertrain, you'll also enjoy exceptional range – giving you the benefits of electric power, such as a quiet drive and greater efficiency, without inconvenience.

With RAV4, you can glide through the city, embrace the open road and leave compromise behind.





THERE'S CONTROL
AND THEN THERE'S
CONFIDENCE

**RAV4 DRIVES LIKE NO OTHER SUV
BECAUSE IT'S BUILT LIKE NO OTHER SUV.**

RAV4 represents an uncompromising balance of space, ride comfort, power and all-road capability. The innovative TNGA platform has enabled Toyota's engineers to reduce the car's weight, lower its centre of gravity and increase both chassis rigidity and driver visibility. Together, these changes make RAV4 easier to handle and seriously fun to drive. The platform has also given the designers more freedom to create a stylish car, with more room throughout for both passengers and luggage.*

The result is a supremely capable SUV in which you can go anywhere in safety and style – and one you will just love to drive.

* Toyota New Global Architecture.



Model shown is Hybrid Style.



Model shown is Hybrid Style.

HYBRID**2.5 I Hybrid Dynamic Force e-CVT**

Power **176 DIN hp**
 Fuel consumption* **5.5–5.7 l/100 km**
 CO₂ emissions* **126–130 g/km**
 Acceleration **0–100 km/h 8.1 secs**
 Available on **All grades**

PETROL**2.0 I Petrol Direct-injection 6 M/T**

Power **173 DIN hp**
 Fuel consumption* **7.3–7.7 l/100 km**
 CO₂ emissions* **158–175 g/km**
 Acceleration **0–100 km/h 9.8 secs**
 Available on **Active, Mid, High**

**Drive Mode Selector**

Choose Eco mode for efficiency, Sport mode for a more thrilling experience, or Normal mode for everyday driving. And when you are facing challenging conditions, just hit the Trail switch and the AWD-i system will keep you moving even if only two wheels have traction.

THERE'S POTENTIAL AND THEN THERE'S **POWER**

**AN UNCOMPROMISING FUSION OF PERFORMANCE,
EFFICIENCY AND LOW EMISSIONS.**

RAV4 confirms its position as leader of the SUV market with the groundbreaking 2.5-litre Hybrid Dynamic Force powertrain. Available with the intelligent all-wheel drive (AWD-i) system, RAV4 delivers an impressive performance both on and off-road. And with the ability to adapt to changing driving conditions automatically, you'll have all the traction you need, whenever you need it – in snow, in mud, on steep slopes and even when cornering at speed.

With RAV4, you have variety too. You can choose between the formidable 2.5-litre Hybrid Dynamic Force powertrain, or the capable 2.0-litre Petrol Direct-injection, with the option of either front- or all-wheel drive. And whichever you choose, you can be sure that no other SUV delivers the same outstanding balance of power, efficiency and pure driving pleasure as the RAV4.

M/T = Manual transmission

e-CVT = electronically controlled Continuously Variable Transmission

* Combined cycle.



Model shown is Hybrid Style.

THERE'S SAFETY AND THEN THERE'S **PEACE OF MIND**

INTELLIGENCE THAT IMPROVES SAFETY FOR EVERYONE – INSIDE AND OUTSIDE THE CAR.

RAV4 includes a wide range of advanced safety systems to help you drive with more confidence. Toyota Safety Sense has been enhanced with more intelligent features, which means the car can now do even more to help you. It includes assistive functions such as Pre-Collision Detection that can see cyclists as well as other vehicles, Night-time Pedestrian Detection, Full-range Adaptive Cruise Control and Lane Trace Assist. Rest assured, however, that you'll always be in control.

Crucially, Toyota Safety Sense is standard across every RAV4 model. Because your safety is essential – never just an option.



**Pre-Collision
System
with Cyclist
Detection**



**Pre-Collision
System with
night-time
Pedestrian
Detection**



**Full-range
Adaptive
Cruise
Control**



**Intelligent
Adaptive
Cruise
Control**



**Lane Trace
Assist**



Model shown is Hybrid Style.



*THERE'S DISTINCT
AND THEN THERE'S*
REFINED

**A SUPERIOR CABIN, FINISHED WITH
A REMARKABLE SENSORY QUALITY.**

RAV4's interior is built around a wide centre console and contemporary new instrument panel. Simplicity meets high technology in seamless style, as the robust exterior design is met with the thoughtful arrangement of the interior.

Innovative features work with the cabin's clean lines in an environment of true refinement, focusing around the 8" multimedia touch screen, and complemented with thoughtful additions like cleverly concealed storage areas. The RAV4 is designed to deliver a sensory experience – and to enhance your every journey.

THERE'S SUFFICIENT AND THEN THERE'S **SUBSTANTIAL**

**A CABIN WITH THE SPACE TO SPREAD OUT –
FOR DRIVERS AND PASSENGERS ALIKE.**

RAV4 combines great visibility and a high driving position with the comfort of a truly impressive cabin. With easily accessible storage areas throughout, its spacious interior offers a relaxing and practical environment. A wide back seat allows for plenty of shoulder room, while generous footwells give passengers ample space to spread out. The long, wide boot space features a full flat floor with no lips or ridges, making it easy to slide cumbersome luggage in and out. And because the rear seats fold flat, you can create even more space when you need it.

An electrically operated, panoramic glass moon roof floods the car with light, making the most of the welcoming interior space.

Model shown is Hybrid Style with optional panoramic moon roof.



Model shown is Hybrid Style.

THERE'S CLEVER AND THEN THERE'S **CONNECTED**

TECHNOLOGY, DESIGNED AROUND YOUR NEEDS.

From how we stay in contact to the way we share the things we love, being connected is part of everyday life. With MyT, this freedom continues on the road. And because all of RAV4's technology is thoughtfully applied, this suite of six connected services integrates seamlessly with your car, ensuring your journeys instantly become easier and more enjoyable. By including innovative features like a digital rear-view mirror, wireless phone charger and a tailor-made, 9-speaker JBL audio system, for concert quality sound, every driving situation becomes a breeze. Even when you're manoeuvring in confined spaces, the 360° Panoramic View Monitor makes sure nothing lies outside your line of sight. And with the MyT app, you'll be better connected to your car than ever before.

MyT BY TOYOTA

MyT is a set of connected services for your car, designed to make your life easier. Through the MyT app, you can link up and stay in contact with your RAV4, opening up a world of possibilities that save you time, money and worry. So whether you want to run in-depth driving analytics or simply locate your car, MyT is at your service. For more features available on the MyT app, please see below.



Find My Car

Powered by Google Maps, Find My Car tells you exactly where your car is – so you will always remember where you parked.



Car To Door

This service transfers data from the satnav system to your phone, for journeys that need to be completed on foot.



Share To Car

Plan a journey from the comfort of your home – or anywhere. With MyT you can send your destinations directly to your car's navigation system.



Service Reminders

With advance maintenance reminders based on your car's actual mileage, you'll never miss a service again.



Driving Data

Record and review all your driving data, including speed, acceleration and mileage.



Usage Based Insurance

By enabling the recording of your mileage, this feature could give you access to better car insurance deals.

Discover more at www.toyota-europe.com/MyT



The new digital rear-view mirror gives drivers a better view of their surroundings. At the touch of a button, the electrochromatic auto-dimming mirror becomes a high-definition digital monitor. And because it uses a camera mounted high up on the RAV4's back window, the monitor always ensures a clear view, even when obscuring items are stored in the boot.

THERE'S FUNCTIONAL
AND THEN THERE'S
ACTIVE

ACTIVE GRADE

*Your entry to the world of RAV4, with a range of standard features.
Enjoy access to all the essentials, in one uncompromising package.*



Model shown is Hybrid Active.





Main features

- Available in all body colours except Bi-tones
- 17" silver alloy wheels (5-spoke)
- Shark-fin antenna
- LED headlamps
- Automatic High Beam
- Intelligent Adaptive Cruise Control
- Pre-Collision System with Pedestrian and Cyclist Detection
- Lane Trace Assist
- Black fabric
- 7" multimedia display
- Toyota Touch® 2 multimedia system

For differences between hybrid and conventional grades see pages 42–51.

Main features (additional to Active)

- Dark grey painted upper front grille
- Privacy glass on rear windows
- Rain sensor
- Smart Entry & Start System
- Front parking sensors
- Rear parking sensors
- 8" multimedia display
- Dynamic guide lines on rear-view camera display

Optional features

- 18" silver alloy wheels (5-spoke)
- Blind Spot Monitor (BSM)
- Wireless mobile phone charger

For differences between hybrid and conventional grades see pages 42–51.



MID GRADE

THERE'S USEFUL
AND THEN THERE'S
ESSENTIAL

MID GRADE

This grade offers a great balance of form, function and features. It's the modern SUV that has all the essentials, alongside styling to set you apart.



THERE'S EYE-CATCHING
AND THEN THERE'S
OUTSTANDING

STYLE GRADE

For drivers who like to make an impression, the Style Grade represents an uncompromising statement. A wealth of stunning details comes together to create a RAV4 with a cool, urban edge.



Model shown is Hybrid Style.



Main features (additional to Mid)

- Available in Bi-tone body colours
- 18" black painted alloy wheels (5-spoke)
- Panoramic moon roof
- Black leather-style with blue stitching
- 9 speakers
- JBL premium sound system
- Blue stitching on upper dashboard
- Blue stitching on front seats
- Blue stitching on front door trim
- Front sport seats
- Wireless mobile phone charger

Optional features

- Kick-activated boot opening
- Heated steering wheel
- Digital rear-view mirror

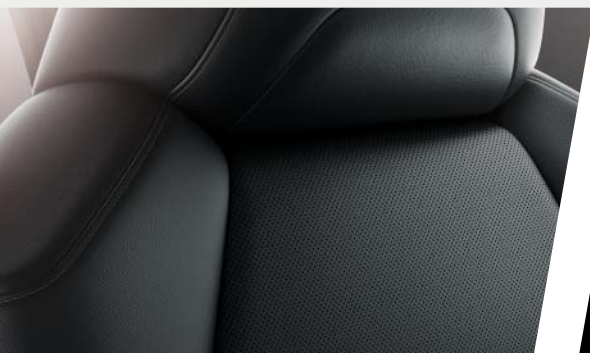
Main features (additional to Mid)

- 18" silver alloy wheels (5-spoke)
- Panoramic moon roof
- Projector LED headlamps
- Blind Spot Monitor (BSM)
- Panoramic View Monitor
- Light grey, black or beige leather
- 9 speakers
- JBL premium sound system
- Voice recognition
- Memory function on driver seat
- Wireless mobile phone charger

Optional features

- Kick-activated boot opening
- Heated steering wheel
- Digital rear-view mirror

For differences between hybrid and conventional grades see pages 42–51.



Model shown is Hybrid High.

HIGH GRADE

THERE'S ELEGANT
AND THEN THERE'S
EXCEPTIONAL

HIGH GRADE

For those who insist on the very best, the supremely equipped High Grade takes RAV4 refinement to new heights. With serious substance to match its style, this is the ultimate RAV4.



TAILOR YOUR RAV4

ACCESSORIES FOR YOUR HYBRID.

Accessories allow you to tailor your RAV4 to your lifestyle – adding to the value of your car.

Ensure your RAV4 always looks like new with the tough and practical **textile floor mats (1)**.

Protect your sill paintwork from scratches, scrapes and marks, while adding an aesthetic edge, with **aluminium scuff plates (2)**.

The **premium smart key cover (3)** is a slick way to finish off your Hybrid look.



Aluminium scuff plates & textile floor mat



Premium smart key cover



PROTECTING YOUR RAV4.

The front and rear mud flaps (4) ensure that mud spray and flying stones won't ruin your Toyota's looks.

The side step (5) gives you easy access to the roof accessories while enhancing the rugged appeal of your car.

The rear bumper protection plate (6) guards the paintwork in the boot area, with extra styling detail to complement your RAV4's design.

With a special anti-slip **tailored boot lining (7)**, featuring the same hexagonal design seen in the cabin, your luggage will always stay exactly where you put it.

STAND OUT IN STYLE.

Add a touch of class along the lower edge of your car's boot with a premium **chrome boot garnish** (1).

Creating an elegant and powerful low profile appearance are the **chrome side sills** (2) which fit beautifully contoured along the sides of your car.





ACCESSORIES FOR TRANSPORTATION.

The **detachable towing hitch** (3) has a tough anti-corrosion surface and is designed so that you can easily attach and remove the tow ball at your leisure.

The purposeful **aluminium roof crossbars** (4) add extra carrying capacity and come with Toyota's quick attachment mechanism, meaning you can even combine these with additional carrying accessories.

The **Thule Motion 800 ski box** (5) can hold two snowboards or up to four pairs of skis, depending on size. And in summer (or if skiing isn't your thing) it doubles as extra space for luggage.

The accessories shown are just a small selection of the wide range available. For that extra level of safety, add Toyota's parking aid and/or child restraint seat; be guided with the Toyota navigation unit. Also, don't forget everyday practicalities and basic comfort with, for example, a storage box or ashtray.

Visit the Toyota website for the complete range of all accessories.



040 Pure White*



070 Pearl White*⁵



1D6 Zircon Silver*⁰



1G3 Ash Grey*⁰



218 Attitude Black*⁰



3T3 Tokyo Red*



6X3 Urban Khaki*



8W9 Cyan Splash*⁰



8X8 Midnight Blue*⁰



2QJ Pearl White[§] with Attitude Black[°] roof**



2QY Zircon Silver[°] with Attitude Black[°] roof**



2QZ Ash Grey[°] with Attitude Black[°] roof**



2RA Midnight Blue[°] with Attitude Black[°] roof**

THERE'S NOTICEABLE
AND THEN THERE'S
UNMISSABLE

The RAV4 offers a wide range of exterior colours from the simplicity of Pure White to the cool charisma of Midnight Blue. And with Style Grade, you can contrast the gloss black roof with one of four body colours, to incredible effect.

* Not available on Style grade. § Pearlescent paint.
° Metallic paint. ** Only available on Style grade.

THERE'S STYLISH AND THEN THERE'S **STUNNING**

Choose from a stunning line-up of alloy wheels ranging in size from 17" to 19" – all designed to complement your RAV4 perfectly.



Model shown is Hybrid Style.



17" steel wheels with silver wheel caps (6-spoke)
Optional on Active

OPTIONAL WHEELS



17" silver alloy wheels (5-spoke)
Optional on all grades



**17" silver alloy wheels
(5-spoke)**
Standard on Active, Mid



**18" silver alloy wheels
(5-spoke)**
Standard on Mid, High



**18" black painted alloy
wheels (5-spoke)**
Standard on Style



**18" silver alloy wheels
(5-double spoke)**
Optional on all grades



**18" black alloy wheels
(5-double spoke)**
Optional on all grades



**18" machined-face alloy
wheels (5-double spoke)**
Optional on all grades



**19" silver alloy wheels
(15-spoke)**
Optional on all grades

THERE'S QUALITY AND THEN THERE'S **TAILORED**

A wide range of trim options includes fabric, leather-style and genuine leather available in three colours. Whichever you choose, comfort and style come as standard.



Black fabric
Standard on Active



Black fabric
Standard on Mid



Model shown is Hybrid Style.

OPTIONAL TRIMS



**Black leather-style with
blue stitching**
Standard on Style



Black leather
Standard on High



Beige leather
Standard on High



Light grey leather
Standard on High



**Saddle brown and black
leather***
Optional on all grades



Grey and black leather*
Optional on all grades



**Black Alcantara® and leather
with saddle brown piping
and stitching***
Optional on all grades



**Black leather with grey
piping and stitching**
Optional on all grades

* Consists of natural leather
and synthetic leather.

SPECIFICATIONS

ENVIRONMENTAL PERFORMANCE	2.5l Hybrid Dynamic Force e-CVT FWD	2.5l Hybrid Dynamic Force e-CVT Hybrid AWD-i	2.0l Petrol Direct-injection 6 M/T FWD	2.0l Petrol Direct-injection Direct Shift-CVT FWD	2.0l Petrol Direct-injection 6 M/T AWD	2.0l Petrol Direct-injection Shift-CVT AWD
Recommended fuel grade	95 or more (octane)	95 or more (octane)	95 or more (octane)	95 or more (octane)	95 or more (octane)	95 or more (octane)
Fuel tank capacity (litres)	55	55	55	55	55	55
Exhaust emissions (regulation EC 715/2007 complemented by EC 2017/1347AG)						
Euro class	EURO 6 AG		EURO 6 AG	EURO 6 AG	EURO 6 AG	EURO 6 AG
Carbon monoxide, CO (mg/km)	155.4		375.1	317.2	390	278.7
Hydrocarbons, THC (mg/km)	25		13.5	21.4	14.3	18.3
Hydrocarbons, NMHC (mg/km)	21.4		10.6	17.8	13.2	15
Nitrogen Oxides, NOx (mg/km)	2.1		12.4	8.7	10.4	15.6
Smoke particulates (mg/km)	0.13		0.31	0.16	0.36	0.27
Sound level drive by (dB(A))	70		69	70	69	70
Fuel consumption (regulation EC 2017/1153 as by amended EC 2017/1231)						
Combined WLTP (l/100 km)	5.5–5.7		7.0–7.4	6.9–7.4	7.3–7.7	7.1–7.6
Low (l/100 km)	5.5–5.6		8.7–8.8	8.2–8.5	9.1–9.5	8.7–9.1
Medium (l/100 km)	4.8–5.0		6.8–7.1	6.6–7.0	7.2–7.6	7.0–7.4
High (l/100 km)	4.9–5.1		6.1–6.4	6.0–6.3	6.4–6.8	6.2–6.5
Extra High (l/100 km)	6.5–6.8		7.3–7.8	7.5–8.1	7.5–8.0	7.5–8.0
Carbon dioxide, CO₂ (regulation EC 2017/1153 as by amended EC 2017/1231)						
Combined WLTP (g/km)	126–130		158–167	157–167	165–175	162–172
Low (g/km)	124–127		196–200	186–193	205–215	198–206
Medium (g/km)	109–113		153–161	150–158	162–172	159–168
High (g/km)	112–116		138–146	135–144	144–153	139–148
Extra High (g/km)	148–154		164–178	169–183	170–182	169–181

The fuel consumption and CO₂ values are measured in a controlled environment on a representative production model, in accordance with the requirements of the new WLTP European Regulation EC 2017/1151 and its applicable amendments. For each individual vehicle configuration, the final fuel consumption and CO₂ values may be calculated based on the ordered optional equipment. The fuel consumption and CO₂ values of your vehicle may vary from those measured or calculated values, as driving behaviour as well as other factors (such as road conditions, traffic, vehicle condition, tyre pressure, load, number of passengers, etc.) have an influence on a car's fuel consumption and CO₂ emissions. For more information regarding the new WLTP test method, please visit: <https://www.toyota-europe.com/world-of-toyota/feel/environment/worldwide-harmonized-light>

e-CVT = electronically controlled Continuously Variable Transmission M/T = Manual transmission

* Depending on grade and/or wheel drive. § Final data to be confirmed.

ENGINE	2.5I Hybrid Dynamic Force e-CVT	2.0I Petrol Direct-injection 6 M/T	2.0I Petrol Direct-injection Direct Shift-CVT
Engine code	A25A-FXS	M20A-FKS	M20A-FKS
Number of cylinders	4, in line	4, in line	4, in line
Valve mechanism	16-Valve DOHC, VVT-iE (intake), VVT-i (Exhaust)	16-Valve DOHC, VVT-iE (intake), VVT-i (Exhaust)	16-Valve DOHC, VVT-iE (intake), VVT-i (Exhaust)
Fuel system	Fuel injection	Fuel injection	Fuel injection
Displacement (cc)	2487	1987	1987
Bore x stroke (mm x mm)	87.50 x 103.48	80.50 x 97.62	80.50 x 97.62
Compression ratio	14.0:1	13.0:1	13.0:1
Maximum power output (DIN hp)	176	173	173
Maximum power output (kW/rpm)	131/5700 / 131/XX*	129/6600	129/6600
Maximum torque (Nm/rpm)	221/3600–5200	XX/XX / 208/XX*	XX/XX
Total hybrid system combined output (DIN hp)	218 / 222*		
Total hybrid system combined output (kW)	160 / 163*		

Electric front motor
Hybrid vehicle battery

Type	Permanent magnet synchronous	Type	Nickel-metal hydride
Maximum output (kW)	48.0	Battery capacity (3 hr) amp. hr.	6.5
Maximum torque (Nm)	121.0		

PERFORMANCE	2.5I Hybrid Dynamic Force e-CVT	2.0I Petrol Direct-injection 6 M/T	2.0I Petrol Direct-injection Direct Shift-CVT
Maximum speed (km/h)	180	190	190
0–100 km/h (secs)	8.1 / 8.4*	9.8 / 9.9*	10.7 / 11*

WEIGHTS & TOWING CAPACITY	2.5I Hybrid Dynamic Force e-CVT	2.0I Petrol Direct-injection 6 M/T	2.0I Petrol Direct-injection Direct Shift-CVT
Total gross vehicle mass (kg)	2935	4050/4105*	3565/3655*
Kerb weight (kg)	1590–1680*	1450–1615	1480–1670
Towing capacity with brakes (kg)	800	2000	1500
Towing capacity without brakes (kg)	750	750	750

SPECIFICATIONS

SUSPENSION

Front	MacPherson strut
Rear	Double wishbone

INTERIOR DIMENSIONS & LOAD VOLUME

5-door

Interior width (mm)	1515
Interior height (mm)	1210/1230
Luggage overall length, rear seat up (mm)	1015
Luggage overall width (mm)	1499
Luggage overall height (mm)	931
Load volume (m ³)	0.733
VDA luggage capacity, up to tonneau cover, rear seat up (litres)	580

STEERING

5-door

Turning circle – tyre (m)	11
---------------------------	----

OFF ROAD

5-door

Min. running ground clearance (mm)	190/195
Departure angle (°)	20

BRAKES

Front	Ventilated disc 2-cylinder
Rear	Ventilated disc 1-cylinder

EXTERIOR DIMENSIONS

5-door

Exterior length (mm)	4600
Exterior width (mm)	1855
Exterior height (mm)	1685
Front tread (mm)	1610
Rear tread (mm)	1640
Front overhang (mm)	925
Rear overhang (mm)	985
Wheelbase (mm)	2690

WHEELS

Hybrid Active Hybrid Mid Hybrid Style Hybrid High Active Mid High

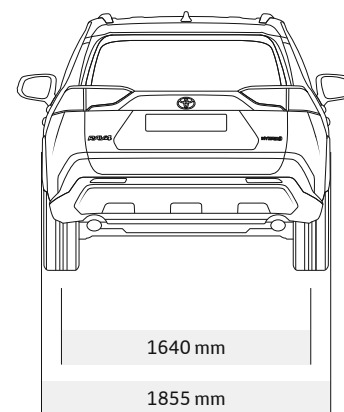
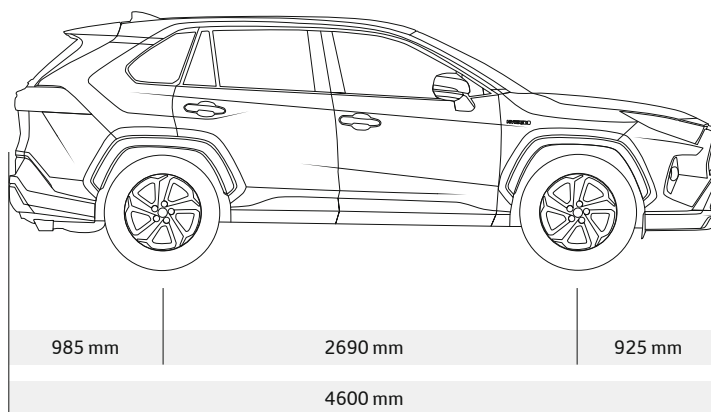
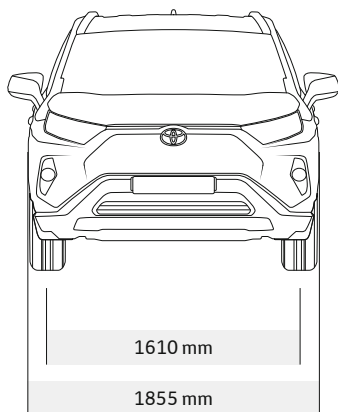
17" steel wheels with silver wheel caps (6-spoke)	—	—	—	—	○*	—	—
17" silver alloy wheels (5-spoke)	●	●	—	—	●	●	—
18" silver alloy wheels (5-spoke)	—	○	—	●	—	○	●
18" black painted alloy wheels (5-spoke)	—	—	●	—	—	—	—
Tyre repair kit	—	—	●	●	●	●	●

● = Standard

○ = Optional

— = Not available

* Not available on 2.0i Petrol Direct-injection Direct Shift-CVT.



EQUIPMENT

EXTERIOR STYLING	Hybrid Active	Hybrid Mid	Hybrid Style	Hybrid High	Active	Mid	High
Black upper front grille	●	—	—	—	●	—	—
Dark grey painted upper front grille	—	●	●	●	—	●	●
Meshed upper front grille	●	●	●	●	●	●	●
LED front light guide	●	●	●	●	●	●	●
Black surrounds on front fog lamps	●	●	—	●	●	●	●
Attitude Black surrounds on front fog lamps	—	—	●	—	—	—	—
Unpainted front fog lamps cover	—	—	—	—	○*	—	—
Black front bumper	●	●	—	●	●	●	●
Attitude Black front bumper	—	—	●	—	—	—	—
Silver front under-run	—	●	●	●	—	●	●
Black front under-run	●	—	—	—	●	—	—
LED rear light guide	●	●	●	●	●	●	●
Black rear bumper	●	●	—	●	●	●	●
Attitude Black rear bumper	—	—	●	—	—	—	—
Black rear under-run	●	—	—	—	●	—	—
Silver rear under-run	—	●	●	●	—	●	●
Body-coloured rear spoiler	●	●	—	●	●	●	●
Attitude Black rear spoiler	—	—	●	—	—	—	—
Body-coloured insert on boot door	●	—	—	—	●	—	—
Silver insert on boot door	—	●	●	●	—	●	●
Body-coloured door mirrors	●	●	—	●	●	●	●
Attitude Black door mirrors	—	—	●	—	—	—	—
Body-coloured door handles	●	●	●	●	●	●	●
Chrome insert on door handles	—	—	—	●	—	—	●
Privacy glass on rear windows	—	●	●	●	—	○	●
Attitude Black front pillar design	—	—	●	—	—	—	—
Black wheel arch moulding	●	●	—	●	●	●	●
Attitude Black wheel arch moulding	—	—	●	—	—	—	—

EXTERIOR STYLING

	Hybrid Active	Hybrid Mid	Hybrid Style	Hybrid High	Active	Mid	High
Attitude Black roof	—	—	●	—	—	—	—
Body-coloured roof	●	●	—	●	●	●	●
Shark-fin antenna	●	●	●	●	●	●	●
Roof antenna	●	●	●	●	●	●	●
Attitude Black shark-fin antenna	—	—	●	—	—	—	—
Body-coloured shark-fin antenna	●	●	—	●	●	●	●

EXTERIOR COMFORT

	Hybrid Active	Hybrid Mid	Hybrid Style	Hybrid High	Active	Mid	High
Follow-me-home headlights	●	●	●	●	●	●	●
Dusk sensor	●	●	●	●	●	●	●
Rain sensor	—	●	●	●	—	●	●
Kick-activated boot opening	—	—	○	○	—	○	●
Boot door release with push button	●	●	●	●	●	●	●
Power boot	—	●	●	●	—	○	●
Remote boot door release on key	●	●	●	●	—	●	●
Remote boot door release in cabin	—	●	●	●	—	○	●
Power-adjustable door mirrors	●	●	●	●	●	●	●
Heated door mirrors	●	●	●	●	●	●	●
Automatically retractable door mirrors	●	●	●	●	●	●	●
Puddle lamps on door mirrors	—	○	●	●	—	—	●
Remote door lock	●	●	●	●	●	●	●
Smart Entry & Start System	—	●	●	●	—	○	●
Power roof opening	—	—	●	●	—	—	○
Anti-jam protection on moon roof	—	—	●	●	—	—	○
Panoramic moon roof	—	—	●	●	—	—	○
Standard roof	●	●	○	○	●	●	●

● = Standard

○ = Optional

— = Not available

* Not available on 2.0l Petrol Direct-injection Direct-shift CVT.

EQUIPMENT

INTERIOR STYLING	Hybrid Active	Hybrid Mid	Hybrid Style	Hybrid High	Active	Mid	High
Soft-touch texture on upper dashboard	●	●	●	●	●	●	●
Silver insert on upper dashboard	●	●	●	●	●	●	●
Blue stitching on upper dashboard	—	—	●	—	—	—	—
Light grey stitching on upper dashboard	—	○	—	●	—	○	●
Brown stitching on upper dashboard	—	—	—	●	—	—	●
Soft-touch texture on lower dashboard	●	●	●	●	●	●	●
Light Blue ambient lighting on open tray	—	—	●	●	—	—	●
Silver surround on analogue tachometer	●	●	●	●	●	●	●
Red lighting on tachometer	—	—	—	—	●	●	●
Light blue lighting on tachometer	●	●	●	●	—	—	—
Silver surround on Hybrid System Indicator	●	●	●	●	—	—	—
3-spoke leather steering wheel	●	●	●	●	●	●	●
Chrome insert on steering wheel	●	●	●	●	●	●	●
Piano black centre console	●	●	●	●	●	●	●
Silver insert on centre console	●	●	●	●	●	●	●
Silver surround on multimedia display screen	●	●	●	●	●	●	●
Chrome insert on centre air vents	—	●	●	●	—	●	●
Chrome insert on side air vents	—	●	●	●	—	●	●
Leather gear shift knob	●	●	●	●	●	●	●
Chrome gear shift knob surround	●	●	●	●	●*	● ⁵	●*
Silver gear shift knob surround	—	—	—	—	● ⁰	●**	● ⁰
Silver surround on gear shift console	●	●	●	●	●	●	●
Electronic parking brake	●	●	●	●	●	●	●
Light blue ambient lighting on front cup holders	—	—	●	●	—	—	●
Blue stitching on front seats	—	—	●	—	—	—	—
Light grey stitching on front seats	—	○	—	●	—	○	●
Brown stitching on front seats	—	—	—	●	—	—	●
Urethane front door trim	●	—	—	—	●	—	—
Leather-like front door trim	—	●	●	●	—	●	●

INTERIOR STYLING

	Hybrid Active	Hybrid Mid	Hybrid Style	Hybrid High	Active	Mid	High
Blue stitching on front door trim	–	–	●	–	–	–	–
Light grey stitching on front door trim	–	○	–	●	–	○	●
Brown stitching on front door trim	–	–	–	●	–	–	●
Leather-like front door armrests	●	●	●	●	●	●	●
Black front door armrests	●	●	●	●	●	●	●
Beige front door armrests	–	–	–	●	–	–	●
Light grey front door armrests	–	–	–	●	–	–	●
Silver insert on front door assist grips	●	●	●	●	●	●	●
Satin chrome interior door handles	–	●	●	●	–	●	●
Default plastic rear door trim	●	–	–	–	●	–	–
Soft-touch rear door trim	–	●	●	●	–	●	●
Rear armrest	●	●	●	●	●	●	●
Grey roof lining	●	●	–	●	●	●	●
Black roof lining	–	–	●	–	–	–	–

INTERIOR COMFORT

	Hybrid Active	Hybrid Mid	Hybrid Style	Hybrid High	Active	Mid	High
Key starting system	–	–	–	–	●	–	–
Push-button start	●	●	●	●	–	●	●
Manual tilting steering wheel	●	●	●	●	●	●	●
Heated steering wheel	–	–	○	○	–	–	●
Manual telescopic steering wheel	●	●	●	●	●	●	●
Analogue speedometer	●	–	–	–	●	–	–
Digital speedometer	–	●	●	●	–	●	●
Analogue speedometer (mph)	●	–	–	–	●	–	–
Digital speedometer (mph)	–	●	●	●	–	●	●
Analogue tachometer	●	●	●	●	●	●	●
Electric Power Steering (EPS)	●	●	●	●	●	●	●

● = Standard ○ = Optional – = Not available * Not available on 2.0 l Petrol Direct-injection 6 M/T. † Not available on 2.0 l Petrol Direct-injection 6 M/T, 2.0 l Petrol Direct-injection 6 M/T. ‡ Not available on 2.0 l Petrol Direct-injection Direct-shift CVT. § Not available on 2.0 l Petrol Direct-injection Direct-shift CVT, 2.0 l Petrol Direct-injection Direct-shift CVT.

EQUIPMENT

INTERIOR COMFORT	Hybrid Active	Hybrid Mid	Hybrid Style	Hybrid High	Active	Mid	High
Paddle shifts	—	—	—	—	—	—	●*
Manual day/night rear-view mirror	●	—	—	—	●	—	—
Electrochromatic rear-view mirror	—	●	●	●	—	●	—
Digital rear-view mirror	—	—	○	○	—	—	●
Rear-view camera display in audio screen	—	●	●	●	●	●	●
Static guide lines on rear-view camera display	—	—	—	—	●	—	—
Dynamic guide lines on rear-view camera display	—	●	●	●	—	●	●
Manual air conditioning	—	—	—	—	●	—	—
Dual-zone automatic air conditioning	●	●	●	●	—	●	●
Pollen air filter	●	●	●	●	●	●	●
Clean air filter	●	●	●	●	●	●	●
Rear passenger air vents	●	●	●	●	●	●	●
Central armrest	●	●	●	●	●	●	●
Front sport seats	—	—	●	—	—	—	—
Power-sliding driver seat	—	—	●	●	—	—	●
Power-reclining driver seat	—	—	●	●	—	—	●
Manually height-adjustable driver seat	●	●	—	—	●	●	—
Power-height-adjustable driver seat	—	—	●	●	—	—	●
Power-adjustable lumbar support on driver seat	—	—	●	●	—	—	●
Memory function on driver seat	—	—	—	●	—	—	●
Heated driver & front passenger seats	—	—	●	●	—	—	●
Driver & front passenger air ventilated seats	—	—	—	○	—	—	●
Rear door armrests	●	●	●	●	●	●	●
Reclining rear seats	●	●	●	●	●	●	●
60:40 split-folding rear seats	●	●	●	●	●	●	●
Toyota Easy Flat system	●	●	●	●	●	●	●
Heated rear seats	—	—	—	○	—	—	●
Front power windows	●	●	●	●	●	●	●
Rear power windows	●	●	●	●	●	●	●

INTERIOR COMFORT	Hybrid Active	Hybrid Mid	Hybrid Style	Hybrid High	Active	Mid	High
Auto up & down function on all power windows	●	●	●	●	●	●	●
Anti-jam protection on power windows	●	●	●	●	●	●	●
Heated washer nozzle on windshield	—	—	○	○	—	—	●
Windshield de-icer	—	—	○	○	—	—	●
Washer fluid level warning	—	—	○	○	—	—	●
Rear window defogger	●	●	●	●	●	●	●
Intermittent wiper	●	●	●	●	●	●	●
Time adjustment on intermittent wiper	●	—	—	—	●	—	—
Driver & front passenger personal lamps (bulb type)	●	●	●	●	●	●	●
Centre room lamp (bulb type)	●	●	●	●	●	●	●
Boot lamp	●	●	●	●	●	●	●
Illuminated entry system	●	●	●	●	●	●	●
Foot lamp	—	●	●	●	—	●	●
Lamp on driver sun visor	●	●	●	●	●	●	●
Lamp on passenger sun visor	●	●	●	●	●	●	●
Mirror on driver sun visor	●	●	●	●	●	●	●
Mirror on passenger sun visor	●	●	●	●	●	●	●
Front 12V power outlet (2)	●	●	—	—	●	●	—
Front 12V power outlet	—	—	●	●	—	—	●
Boot 12V power outlet	●	●	●	●	●	●	●
Wireless mobile phone charger	—	○	●	●	—	○	●
Power door lock	●	●	●	●	●	●	●
Speed-detecting automatic door lock	●	●	●	●	●	●	●
Child safety door lock	●	●	●	●	●	●	●
Key reminder warning	●	●	●	●	—	●	●
Coloured TFT information display	●	●	●	●	●	●	●
4.2" screen for information display	●	—	—	—	●	—	—

● = Standard ○ = Optional — = Not available

EQUIPMENT

INTERIOR COMFORT	Hybrid Active	Hybrid Mid	Hybrid Style	Hybrid High	Active	Mid	High
7" screen for information display	—	●	●	●	—	●	●
ECO-driving Indicator	●	●	●	●	●*	●§	●*
Hybrid System Indicator	●	●	●	●	—	—	—
Gear Shift Indicator (GSI)	—	—	—	—	●°	●**	●°
Audio switches on steering wheel	●	●	●	●	●	●	●
Information display switches on steering wheel	●	●	●	●	●	●	●
Telephone switch on steering wheel	●	●	●	●	●	●	●
Voice recognition switch on steering wheel	●	●	●	●	●	●	●
Adaptive Cruise Control switch on steering wheel	●	●	●	●	●	●	●
Adjustable Speed Limiter (ASL) switch on steering wheel	●	●	●	●	●	●	●
Automatic High Beam (AHB) on/off switch	●	●	●	●	●	●	●
Front overhead assist grips	●	●	●	●	●	●	●
Lane Departure Alert switch on steering wheel	●	●	●	●	●	●	●
Rear overhead assist grips	●	●	●	●	●	●	●

STORAGE	Hybrid Active	Hybrid Mid	Hybrid Style	Hybrid High	Active	Mid	High
Open tray on passenger dashboard	●	●	●	●	●	●	●
Single compartment glovebox	●	●	●	●	●	●	●
Lockable glovebox	●	●	●	●	●	●	●
Front bottle holders	●	●	●	●	●	●	●
Rear bottle holders	●	●	●	●	●	●	●
1.5 litre bottle holder	●	●	●	●	●	●	●
Front cup holders	●	●	●	●	●	●	●
Rear cup holders	●	●	●	●	●	●	●
Rear passenger coat hooks (2)	●	●	●	●	●	●	●
Sunglasses holder	●	●	●	●	●	●	●
Passenger-only seatback pocket	●	●	●	●	●	●	●
Rear console box	●	●	●	●	●	●	●
Retractable tonneau cover	●	●	●	●	●	●	●

STORAGE

Hybrid Active Hybrid Mid Hybrid Style Hybrid High Active Mid High

Dual-level deckboard	●	●	●	●	●	●	●
Boot underfloor storage	—	—	●	●	●	●	●
Double-sided boot floor (carpet & plastic)	●	●	●	●	●	●	●

MULTIMEDIA

Hybrid Active Hybrid Mid Hybrid Style Hybrid High Active Mid High

Aux-in connector	●	●	●	●	●	●	●
Bluetooth® hands-free system	●	●	●	●	●	●	●
Digital Audio Broadcast (DAB)+	—	—	●	●	—	—	●
Toyota Touch® 2 with Go navigation system	—	○	●	●	—	○	○
6 speakers	●	●	—	—	●	●	●
9 speakers	—	—	●	●	—	—	○
JBL premium sound system	—	—	●	●	—	—	○
7" multimedia display	●	—	—	—	●	—	—
8" multimedia display	—	●	●	●	—	●	●
Toyota Touch® 2 multimedia system	●	●	●	●	●	●	●
USB connector	●	●	●	●	●	●	●
Voice recognition	—	○	●	●	—	○	○
MyT Connected Services	●	●	●	●	●	●	●

SAFETY

Hybrid Active Hybrid Mid Hybrid Style Hybrid High Active Mid High

Adjustable Speed Limiter (ASL)	●	●	●	●	●	●	●
Brake Assist (BA)	●	●	●	●	●	●	●
Emergency Brake-light Signal (EBS)	●	●	●	●	●	●	●
Anti-lock Braking System (ABS) with Electronic Brake force Distribution (EBD)	●	●	●	●	●	●	●
High-mounted stop lamp (LED type)	●	●	●	●	●	●	●
LED rear brake lights	●	●	●	●	●	●	●

● = Standard ○ = Optional — = Not available

* Not available on 2.0l Petrol Direct-injection 6 M/T.

§ Not available on 2.0l Petrol Direct-injection 6 M/T, 2.0l Petrol Direct-injection 6 M/T.

° Not available on 2.0l Petrol Direct-injection Direct-shift CVT.

** Not available on 2.0l Petrol Direct-injection Direct-shift CVT, 2.0l Petrol Direct-injection Direct-shift CVT.

EQUIPMENT

SAFETY	Hybrid Active	Hybrid Mid	Hybrid Style	Hybrid High	Active	Mid	High
Vehicle Stability Control (VSC)	●	●	●	●	●	●	●
Rear combination lamps (LED type)	●	●	●	●	●	●	●
LED headlamps	●	●	—	—	●	●	—
Projector LED headlamps	—	—	●	●	—	—	●
Automatic High Beam	●	●	●	●	●	●	●
Automatic headlamp levelling	●	●	●	●	●	●	●
Headlamp cleaners	—	—	○	○	—	—	●
Daytime running lights (LED type)	●	●	●	●	●	●	●
Front fog lamps (bulb type)	●	●	●	●	●	●	●
Turning signal (bulb type)	●	●	●	●	●	●	●
Blind Spot Monitor (BSM)	—	○	●	●	—	—	●
Turning signal integrated in door mirrors	●	●	●	●	●	●	●
Memory on speed limiter	●	●	●	●	●	●	●
Adaptive Cruise Control	—	—	—	—	●*	● [§]	●*
Full-range Adaptive Cruise Control	●	●	●	●	● [°]	●**	● [°]
Intelligent Adaptive Cruise Control	●	●	●	●	●	●	●
Intelligent front parking sensors with automatic braking	—	●	●	●	—	—	●
Intelligent rear parking sensors with automatic braking	—	●	●	●	—	●	●
Rear-view camera	—	●	●	●	●	●	●
Panoramic View Monitor	—	—	●	●	—	—	●
Immobiliser	●	●	●	●	●	●	●
Hill-start Assist Control (HAC)	●	●	●	●	●	●	●
Downhill Assist Control (DAC)	—	—	—	—	—	● [°]	● [°]
Pre-Collision System with Pedestrian and Cyclist Detection	●	●	●	●	●	●	●
Driver Attention Alert	●	●	●	●	●	●	●
Lane Departure Alert with Steering Control	—	—	—	—	●*	● [§]	●*
Lane Trace Assist	●	●	●	●	● [°]	●**	● [°]
Rear Cross Traffic Alert (RCTA)	—	○	—	—	—	—	●
Rear Cross Traffic Alert (RCTA) with brake assist	—	—	●	●	—	—	—

SAFETY	Hybrid Active	Hybrid Mid	Hybrid Style	Hybrid High	Active	Mid	High
Road Sign Assist	●	●	●	●	●	●	●
eCall emergency call system	●	●	●	●	●	●	●
Tyre Pressure Warning System (TPWS)	●	●	●	●	●	●	●
Trailer Sway Control (TSC)	●	●	●	●	●	●	●
Supplemental Restraint System (SRS) airbags - 7 airbags	●	●	●	●	●	●	●
Front passenger airbag detector	●	●	●	●	●	●	●
Front passenger airbag on/off-switch	●	●	●	●	●	●	●
Front seat belt reminder	●	●	●	●	●	●	●
Adjustable front driver seat belt extender	●	●	●	●	●	●	●
Adjustable front passenger seat belt extender	●	●	●	●	●	●	●
Pre-tensioners and force limiters	●	●	●	●	●	●	●
Driver & front passenger Whiplash Injury Lessening (WIL) seats	●	●	●	●	●	●	●
ISOFIX seat fixing	●	●	●	●	●	●	●
Rear seat belt reminder	●	●	●	●	●	●	●
Rear headrests (3)	●	●	●	●	●	●	●

PERFORMANCE, TRANSPORT AND PROTECTION	Hybrid Active	Hybrid Mid	Hybrid Style	Hybrid High	Active	Mid	High
Attitude Black roof rails	—	●	●	●	—	●	●
Black protection moulding on side doors	●	●	—	●	●	●	●
Attitude Black protection moulding on side doors	—	—	●	—	—	—	—
Drive mode selector	●	●	●	●	●	●	●
AWD switch	—	—	—	—	—	● ^{§§}	●
Rear limited slip differential (LSD) lock	—	—	—	—	—	● ^{§§}	●
Dual exhaust pipes	●	●	●	●	●	●	●
Driver & front passenger floor mats	●	●	●	●	●	●	●
Stop & Start System	—	—	—	—	●	●	●

● = Standard ○ = Optional — = Not available

* Not available on 2.0l Petrol Direct-injection Direct-shift CVT.

[§] Not available on 2.0l Petrol Direct-injection Direct-shift CVT, 2.0l Petrol Direct-injection Direct-shift CVT.

[°] Not available on 2.0l Petrol Direct-injection 6 M/T.

** Not available on 2.0l Petrol Direct-injection 6 M/T, 2.0l Petrol Direct-injection 6 M/T.

^{§§} Not available on 2.0l Petrol Direct-injection 6 M/T, 2.0l Petrol Direct-injection Direct-shift CVT.

TOYOTA 2050 ENVIRONMENTAL CHALLENGE & EFFICIENCY AND LOW EMISSIONS.

TOYOTA ENVIRONMENTAL CHALLENGE 2050



At Toyota, we want to go beyond zero environmental impact and leave the world in a better place than we found it. To make that happen, we have set ourselves six challenges to complete by 2050. Each one throws up its own difficulties, but we are committed to generating a positive and sustainable impact on society and the natural world as a whole.



CHALLENGE 1

NEW VEHICLE ZERO CO₂ EMISSIONS

By 2050, we want to reduce the CO₂ emissions from our vehicles by 90% compared to our 2010 levels. To achieve this, we will promote the development of new vehicles with low or zero carbon emissions, and do everything we can to increase the uptake of these vehicles.



CHALLENGE 2

LIFE CYCLE ZERO CO₂ EMISSIONS

We are working to create more environmentally friendly designs – and then analysing and refining them to ensure the lowest possible environmental impact throughout the vehicle's entire life cycle*.



CHALLENGE 4

MINIMISING AND OPTIMISING WATER USAGE

To minimise water usage, we have started to collect rainwater at our manufacturing plants. We have also developed purification methods so that the water we do use can either be used again or returned safely into the local supply.



CHALLENGE 5

ESTABLISHING A RECYCLING-BASED SOCIETY AND SYSTEMS

We've been working on the challenge of resource recycling for 40 years, with the result that 95% of every Toyota RAV4 is now reusable and recoverable. In addition, we offer new and innovative ways of returning your vehicle when it eventually reaches 'the end of the road'.

For more information regarding Toyota Environmental Challenge please visit: www.toyota-europe.com/world-of-toyota or contact your local Toyota retailer.



* Toyota's LCA methodology, which is applied to our passenger vehicles, was reviewed and approved by TÜV Rheinland and has been certified to comply with ISO14040/14044 standards.



CHALLENGE 3

PLANT ZERO CO₂ EMISSIONS

To reduce carbon emissions at our manufacturing plants, we are focusing on improving the technologies we use and switching to alternative power sources. We are committed to making our facilities more energy-efficient and adopting renewable energy sources such as solar and wind, as well as low-carbon power such as hydrogen energy.



CHALLENGE 6

ESTABLISHING A FUTURE SOCIETY IN HARMONY WITH NATURE

To preserve and enhance our co-existence with the natural world, we are organising reforestation and tree planting, green urban schemes and other environmental initiatives, both at our own sites and in the wider world. Our aim is to establish a society where people and nature coexist in harmony.

YOUR COMPLETE PEACE OF MIND WITH TOYOTA.

HYBRID SERVICE PROGRAMME

Hybrid Battery Extra Care cover[§] on an annual/15,000 km basis (whichever comes sooner) up to the 10th year from vehicle registration date.

QUALITY SERVICE

Your Toyota will need a Health & Safety check at least once every 2 years/30,000 km (whichever comes sooner). An intermediate check is necessary every year or 15,000 km.

LOW MAINTENANCE COSTS

All Toyota vehicles are designed and engineered to minimise your maintenance costs.

GENUINE PARTS

Providing the reassurance of Toyota quality, only genuine and approved components are used on your vehicle.

COMPREHENSIVE WARRANTY

Every new Toyota comes with a 3-year/100,000 km vehicle warranty[°], which covers any defect caused by a manufacturing fault^{**}.

ADDED SECURITY

Toyota's comprehensive security system withstands the insurance industry's rigorous 5-minute attack test.

TOYOTA EURO CARE

Enjoy peace of mind driving with complimentary Toyota Eurocare roadside assistance in 40 European countries for 3 years^{§§}.

GENUINE ACCESSORIES

Toyota accessories are designed and manufactured with the same care, quality and attention to detail as Toyota vehicles. All accessories are covered by a 3-year warranty when purchased together with the vehicle[°].

For more information on peace of mind visit: www.toyota-europe.com/service-and-accessories

[§] Check with your retailer for specific Toyota Hybrid Service Programme details. [°] Check with your retailer for specific warranty details. ^{**} Transport to the nearest authorised Toyota repairer will also be covered. In addition 3-year/unlimited mileage paint warranty protects against defects and surface rust caused by a manufacturing fault. Every new Toyota is covered by a 12-year anti-corrosion (not valid for commercial vehicles) warranty against perforation of body panels caused by a manufacturing fault in materials or workmanship. ^{§§} Belgium 5 years/Portugal and Denmark 1 year.

STATION
IF YOU CHOOSE



Model shown is Hybrid Style.



CHOOSE RAV4

THERE IS HYBRID, AND THEN THERE IS

TOYOTA RAV4 HYBRID.



RAV4. ALL SUV. ALL HYBRID. NO HALF MEASURES.

ALWAYS A
BETTER WAY



Scan this QR code to
start a new experience
of RAV4.

[TOYOTA-EUROPE.COM](https://www.toyota-europe.com)

To the best of our knowledge, all information in this brochure is correct at time of going to print. Details of specifications and equipment provided in this brochure are subject to local conditions and requirements and may, therefore, vary from models available in your area. Please enquire with your local retailer for details on your local specifications and equipment. • Vehicle body colours may differ slightly from the printed photographs in this brochure. • The readability of QR Codes® present in this brochure may differ according to the scanner used. Toyota cannot be held responsible should your device not be able to read any QR Codes® or interactive content markers. • Toyota Motor Europe reserves the right to alter any details of specifications and equipment without prior notice. • © 2019 by Toyota Motor Europe NV/SA ('TME'). • No part of this publication may in any way be reproduced without the prior written approval of Toyota Motor Europe.